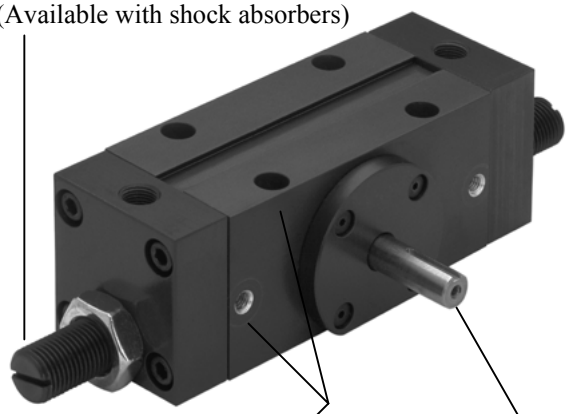


NUMATICS

"The flexibility of Numatics AR-Series Rotary"

Stroke adjustment
C.W. & C.C.W. over
185° total rotation
(Available with shock absorbers)



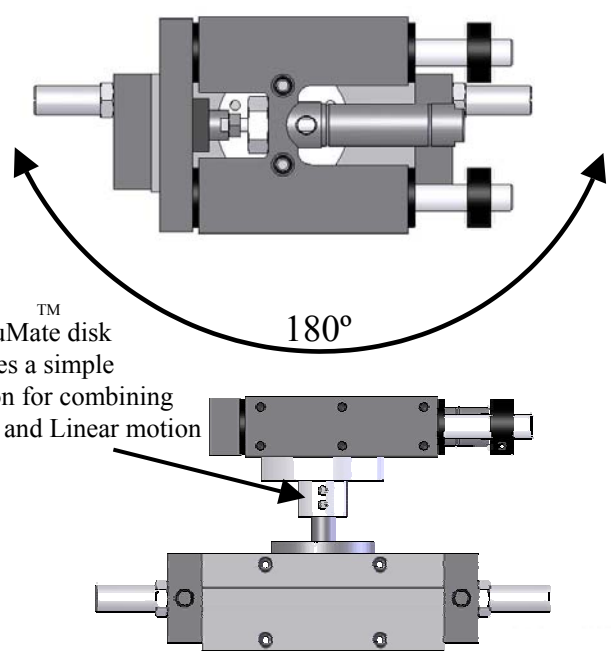
Multiple mounting
Surfaces...Flexible,easy
Access mounting

Output shaft is supported by
Angular Contact bearing..
Supports both thrust and Radial loads

The *AR-Series* Rotary is one
Of the most flexible Rotaries
On the market. Numatics
*NuMate*TM mounting system allow
this AR-Series Rotary to
direct connect to our SH-Series
slides without the use of adapter
Plates and other costly methods.

Specifications

- Available bore sizes 20, 25, 32mm
- Torque ratings from 14-61 in-lbs
- Dynamic thrust loads up to 191 lbf



The NuMateTM disk
Provides a simple
Solution for combining
Rotary and Linear motion

The NuMateTM mounting system
Provides customers with a cost effective
Method of building modular component
automation

